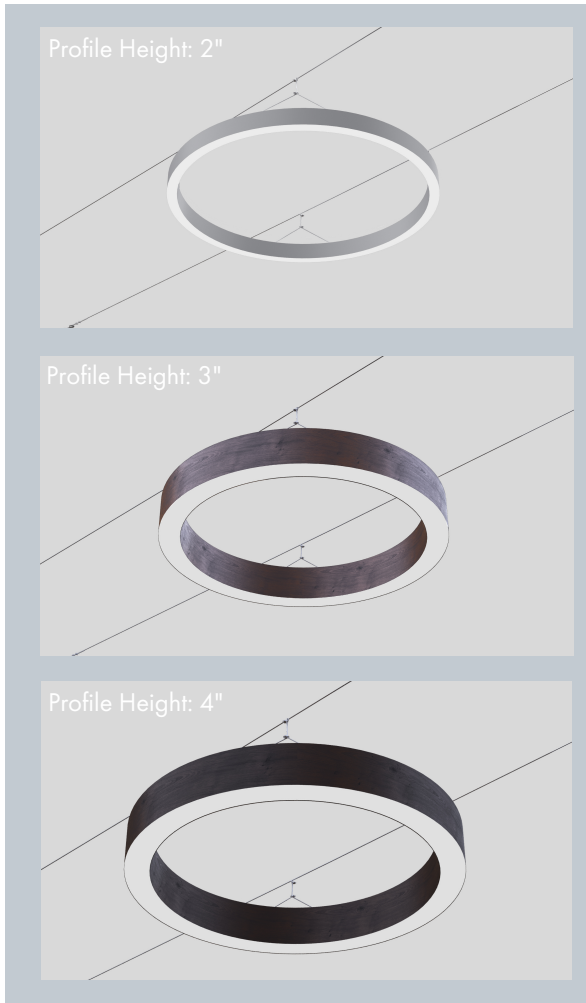




PROJECT
SPEC TYPE
NOTES



GENERAL INFORMATION:

The FRUIT OUTDOOR SPECIFICATION GRADE - Direct Beam - offers the ultimate in complete customization while still maintaining a superior value proposition in the marketplace. Offered in 24 inch up to 120 inch ring sizes, it provides standard or customizable configurations. Standard CCT ranges from 2700K up to 6000K, offering lumen packages from 2,166lm to 10,624lm. Though, every attribute from the canopy color, suspension hardware, electrical cable colors, housing finishes, LED optics, and lighting controls offers complete customization in both standard customization packages as well as complete customization of any size and any color.

OPTICS:

Machined formed and welded satin PMMA diffuser integrated into optimized light chamber design for dot-less uniform lighting. High transmissivity PMMA (>90%) to maximize light output. Available in 2700K, 3000K, 3500K, 4000K, RGB and RGBW as well as custom request color temperatures with smooth, dot free illumination.

FINISHING:

A complete selection of powder coat finishes in addition to custom powder coat RAL, Faux-Wood finishes.

HOUSING/BODY:

Patented aluminum extruded and welded 6061-T6 aluminum Dual Ring Design allowing for no visible fasteners from human eyes when installed. This design allows for sleek and customizable side wall widths with multiple variations from 2.5" to 6" widths with unlimited custom widths. This patented construction system allows flexible diameter sizes and flexible side wall widths.

VOLTAGE:

110-277V



LIGHTING:

LED



IP RATING:

IP65

PROJECT
SPEC TYPE
NOTES

HOW TO ORDER:

CODE

Example:
P77-04-D-D24-H3-W4-SS-80CR-27KD-ND-DE24-WH-WH-TS-RE

P77-04

1 LIGHT DISTRIBUTION:

-D

-D DIRECT



2 CIRCLE DIAMETER:

-D24	24"	-D56	56"	-D84	84"
-D36	36"	-D60	60"	-D96	96"
-D42	42"	-D72	72"	-D120	120"
-D48	48"	-D78	78"		

-CDR*

Custom dimensions on request

3 SIDE PROFILE HEIGHT:

-H1	1"	-H4	4"
-H2-5	2.5"	-H5	5"
-H3	3"	-H6	6"
-H3-5	3.5"		
-CS*			

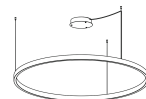
Custom dimensions on request

4 WIDTH OF PROFILE:

-W2-5	2.5"	-W5	5"
-W3	3"	-W6	6"
-W3-5	3.5"		
-W4	4"		
-CS*			

Custom dimensions on request

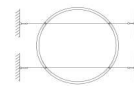
5 INSTALLATION AND CANOPY TYPE:



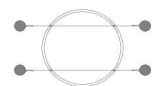
-SS
separate standard
suspension mount



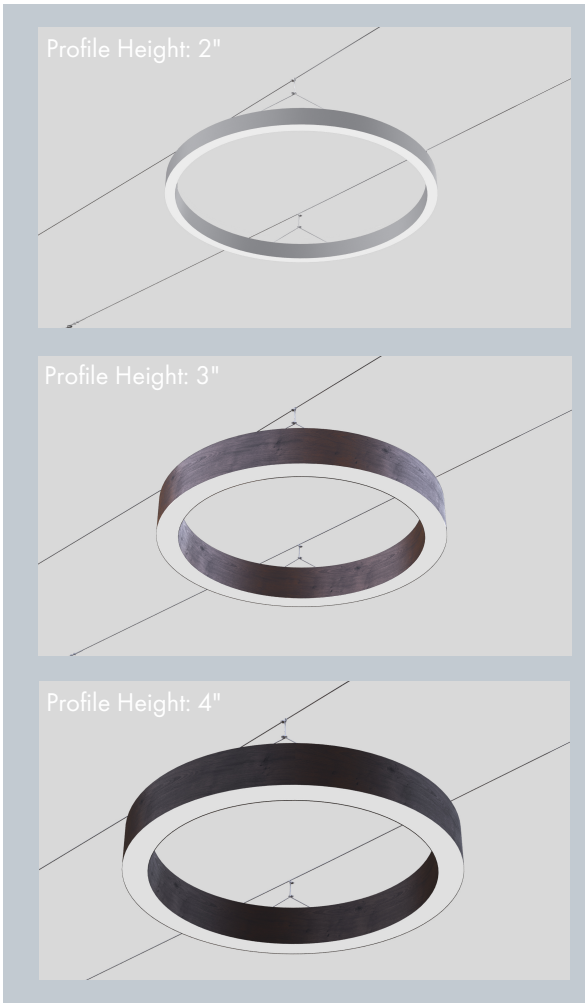
-CSS
central standard
suspension mount



-CCW
catenary cable
mounting wall system



-CCP
catenary cable
mounting pole system



PROJECT
SPEC TYPE
NOTES

HOW TO ORDER:

CODE

6 LED CRI:

- 80CR CRI 80
- 90CR CRI 90

7 SPECIFY CCT (DIRECT):

- 27KD 2700K
- 30KD 3000K
- KD-RGB RGB
- 35KD 3500K
- 40KD 4000K
- 50KD 5000K

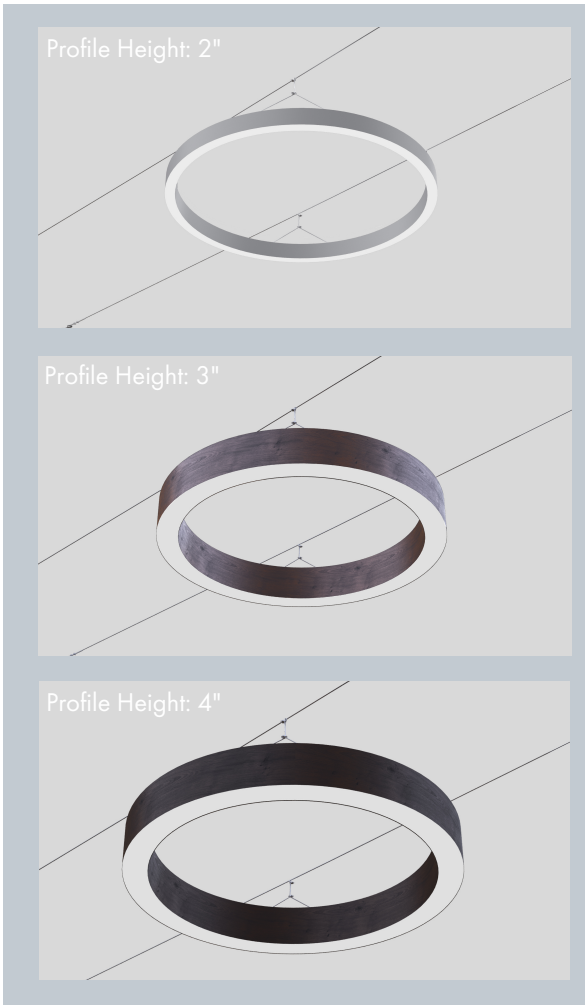
8 DIMMING OPTION:

- ND Non-Dimmable
- 0-10 0-10V
- CS* custom dimming on request

9 LIGHT EMISSION:

CODE | DIAMETER | LUMENS | WATTS:

- DE24 24" 2,166 lm 26W
- DE36 36" 3,250 lm 39W
- DE42 42" 3,735 lm 45W
- DE48 48" 4,333 lm 52W
- DE56 56" 4,980lm 60W
- DE60 60" 5,416 lm 65W
- DE72 72" 6,500 lm 78W
- DE78 78" 6,889 lm 83W
- DE84 84" 7,470 lm 90W
- DE96 96" 8,666 lm 104W
- DE120 120" 10,624 lm 128W
- CS* custom lumen packages on request



PROJECT
SPEC TYPE
NOTES

HOW TO ORDER:

CODE

10 FIXTURE FINISH:

- W White
- BK Black
- CS* Custom RAL on request

* E.G.: CS = RAL #3020

11 CANOPY FINISH:

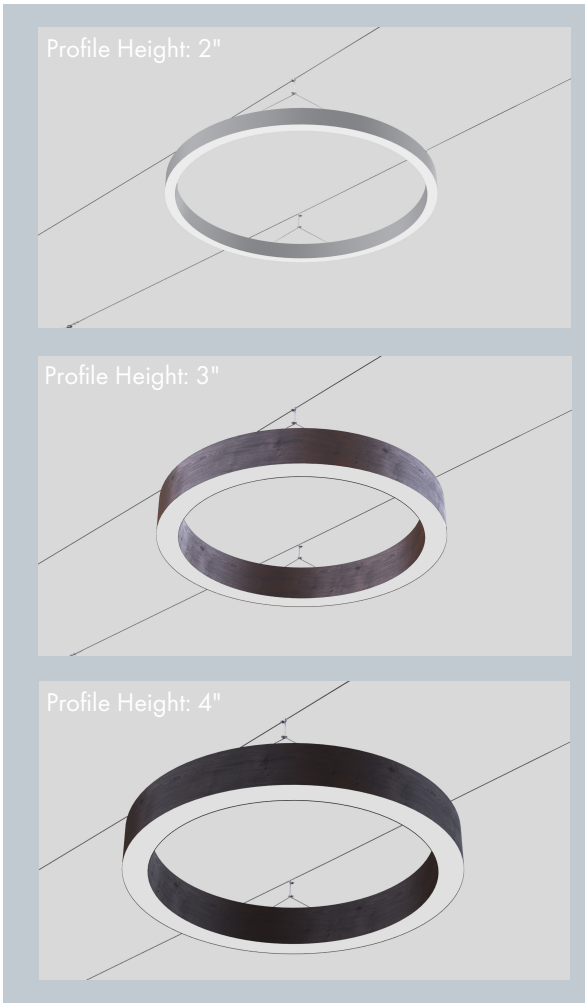
- W White
- BK Black
- CS* Custom RAL on request

12 CORD FINISH:

- BL Black
- WH White
- TS Transparent

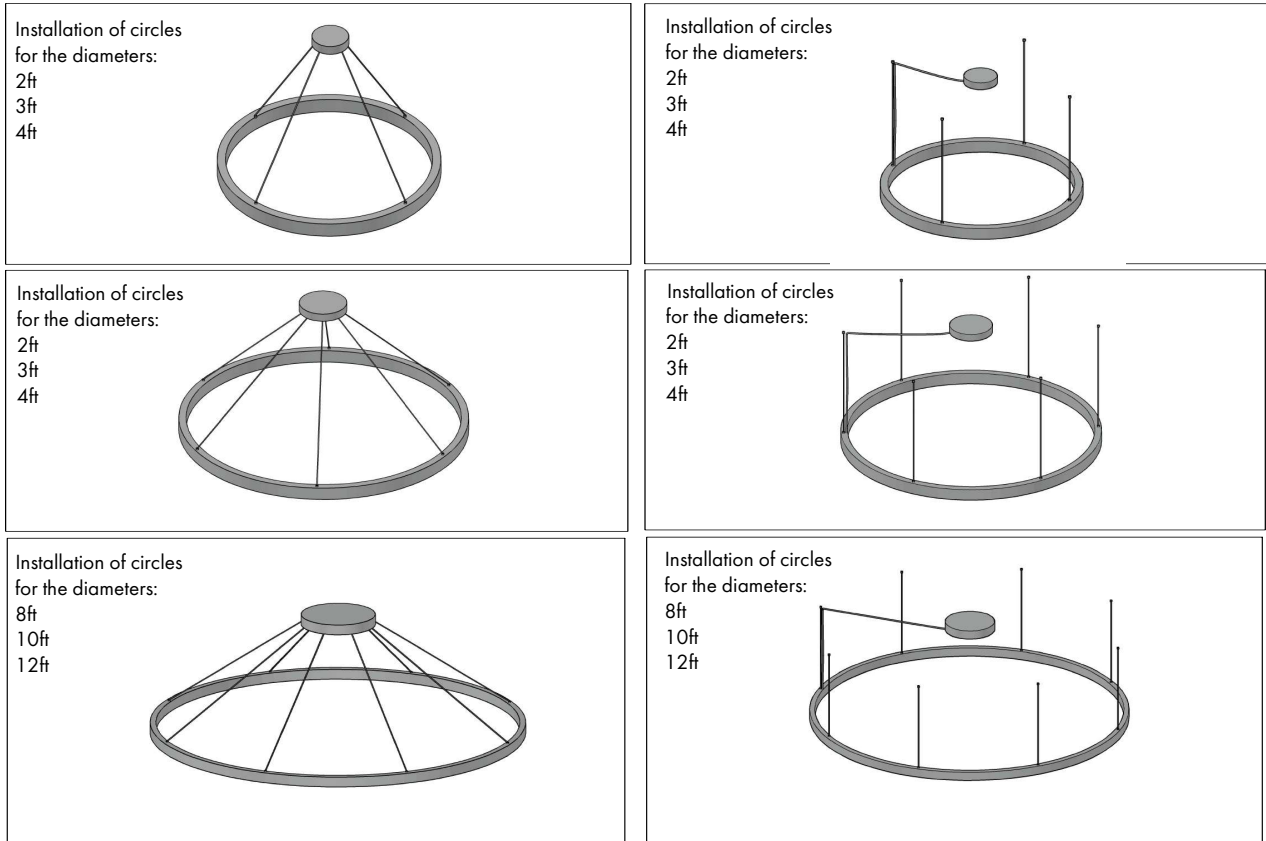
13 OPTIONAL CONTROL FEATURES:

- RE Remote Emergency
- OS Occupancy Sensor
- DS Daylight Sensor/Light Harvesting



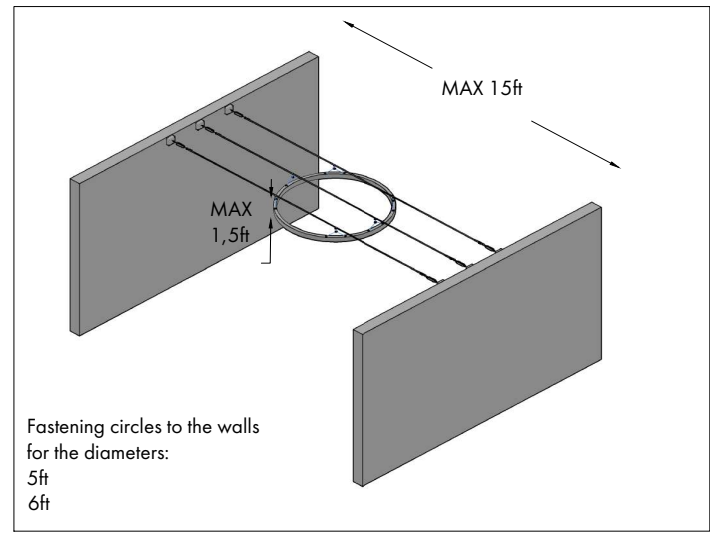
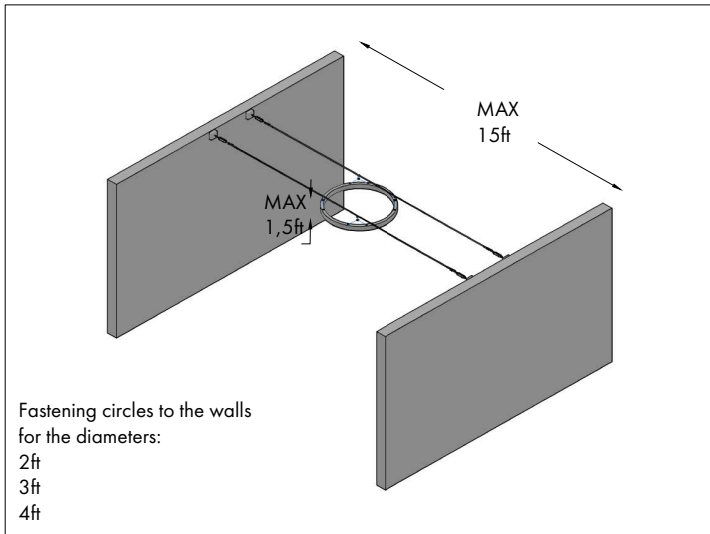
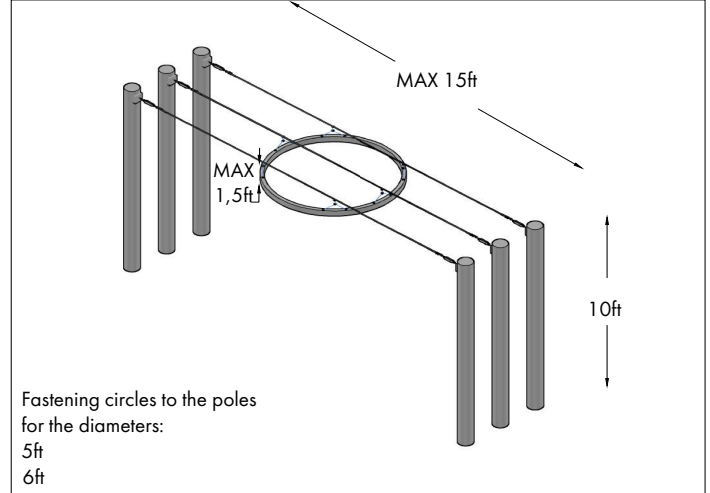
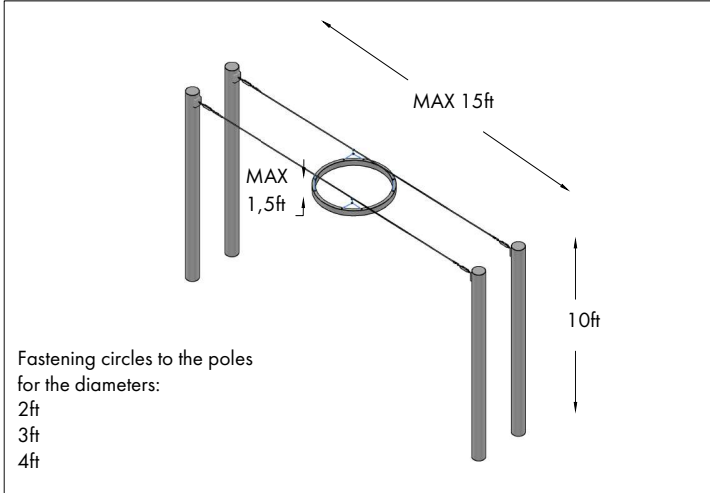
INSTALLATION OPTIONS DETAILED OVERVIEW

The FRUIT Outdoor circle is designed for versatile installation, offering the option to be mounted with either a canopy or a catenary system. Available for individual purchase as single circle pendants or in grouped configurations of two, three, or five fixtures with various sizes, custom cluster arrangements can also be tailored through consultation with the factory for personalized designs.



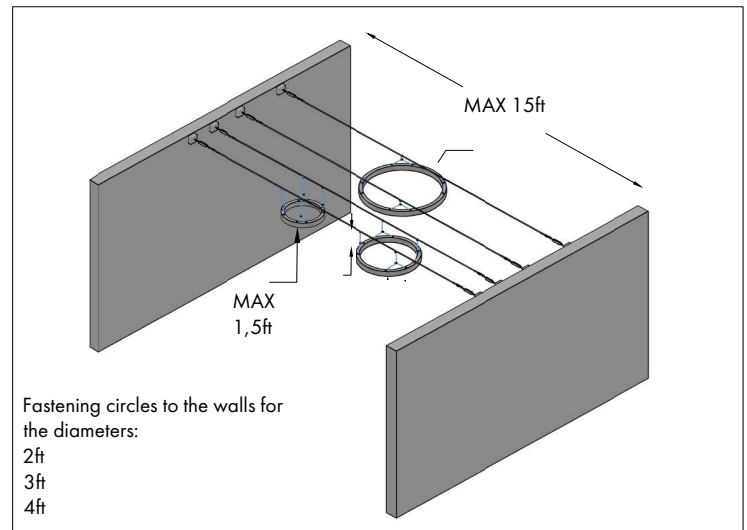
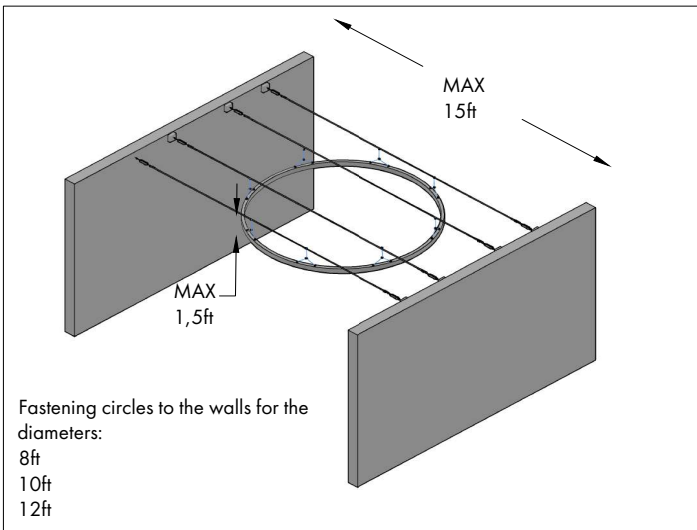
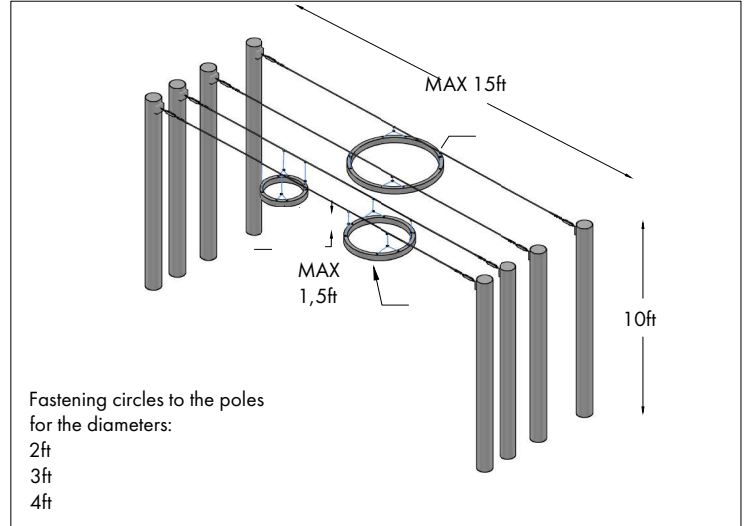
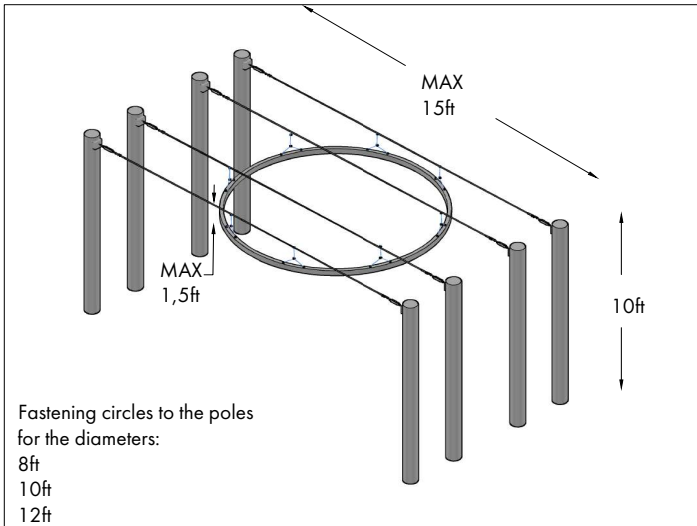
INSTALLATION OPTIONS DETAILED OVERVIEW

The FRUIT Outdoor circle is designed for versatile installation, offering the option to be mounted with either a canopy or a catenary system. Available for individual purchase as single circle pendants or in grouped configurations of two, three, or five fixtures with various sizes, custom cluster arrangements can also be tailored through consultation with the factory for personalized designs.



INSTALLATION OPTIONS DETAILED OVERVIEW

The FRUIT Outdoor circle is designed for versatile installation, offering the option to be mounted with either a canopy or a catenary system. Available for individual purchase as single circle pendants or in grouped configurations of two, three, or five fixtures with various sizes, custom cluster arrangements can also be tailored through consultation with the factory for personalized designs.



MOUNTING ACCESSORIES CHART



Stainless steel 10.0 lock catch

High quality stainless steel M12*L200
Wire rope tightener

M20 High quality metal custom-made rings



∅220*T2.0 High quality stainless steel
custom-made wall box /Black

∅200 High quality metal custom-made wallboard



∅250 High quality stainless steel custom
-made embedded parts

