



PROJECT
SPEC TYPE
NOTES



E12
LED

IP20


**GENERAL INFORMATION:**

The BIBENDUM SUSPENSION Collection is defined by the craftsmanship of blown glass, creating shapes from puffs, sensing every thickness and extending them into slightly different shapes, making each lamp unique, essential, and brilliant at the same time. Available in two finishes, transparent glass and satin white glass, in three sizes and shapes.

**FINISHING:**

Transparent Glass , White Frosted Glass

**MATERIAL:**

Glass

**VOLTAGE:**

110-120V, 110-277V



**LIGHTING:**

E12, LED



**ELECTRICAL CABLE:**

White fabric cable 2 meters, Black fabric cable 2 meters

**IP RATING:**

20

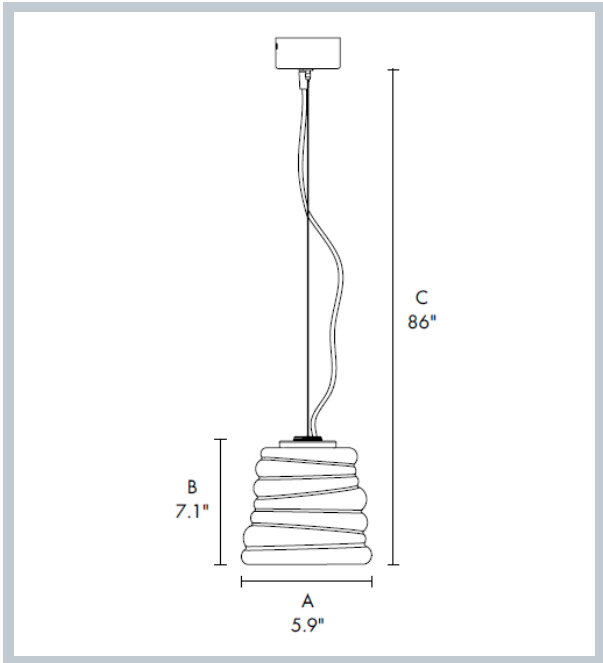
IP20

**APPLIANCE CLASS:**

I



PROJECT
SPEC TYPE
NOTES



## HOW TO ORDER

CODE

Example:  
SE198-A-TG-E12-B

SE198-A

### 1 DIMENSIONS:

SE198-A

SE198-A

#### DIMENSIONS:

∅ = Diameter

- A) Diameter - ∅: 5.9" (15 cm)
- B) Height - H: 7.1" (18 cm)
- C) Total height - H: 86" (218 cm)

### 2 FINISH OPTIONS (LAMP SHADE):

- TG Transparent Glass
- WFG White Frosted Glass

### 3 LIGHT SOURCES:

- E12 E12 / max 6W
- LED LED / 5W / 500 lumens / CRI≥80

### 4 CCT (FOR LED):

- K30 3000K
- K27 2700K

### 5 ELECTRICAL CABLE:

- B Black cable
- W White cable